

FIG. 4
SEE NOTE 5

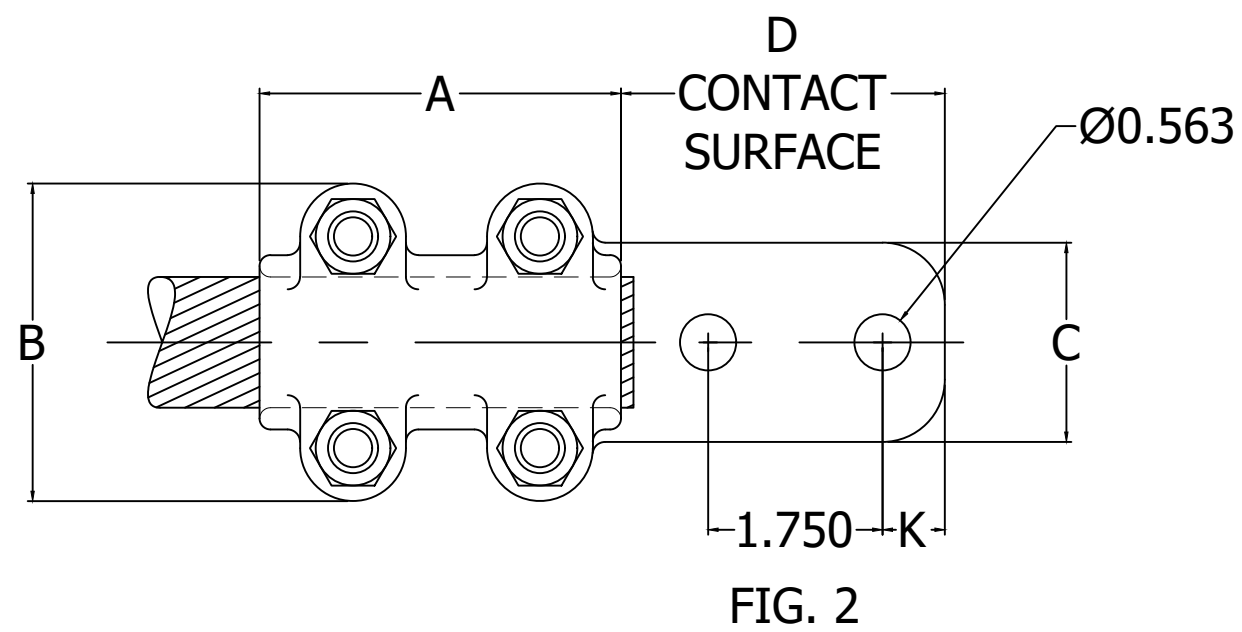
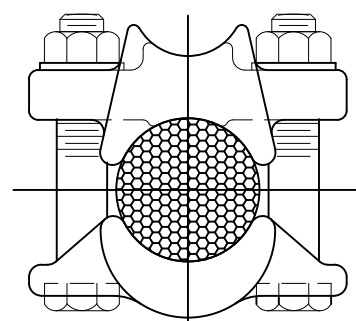


FIG. 2

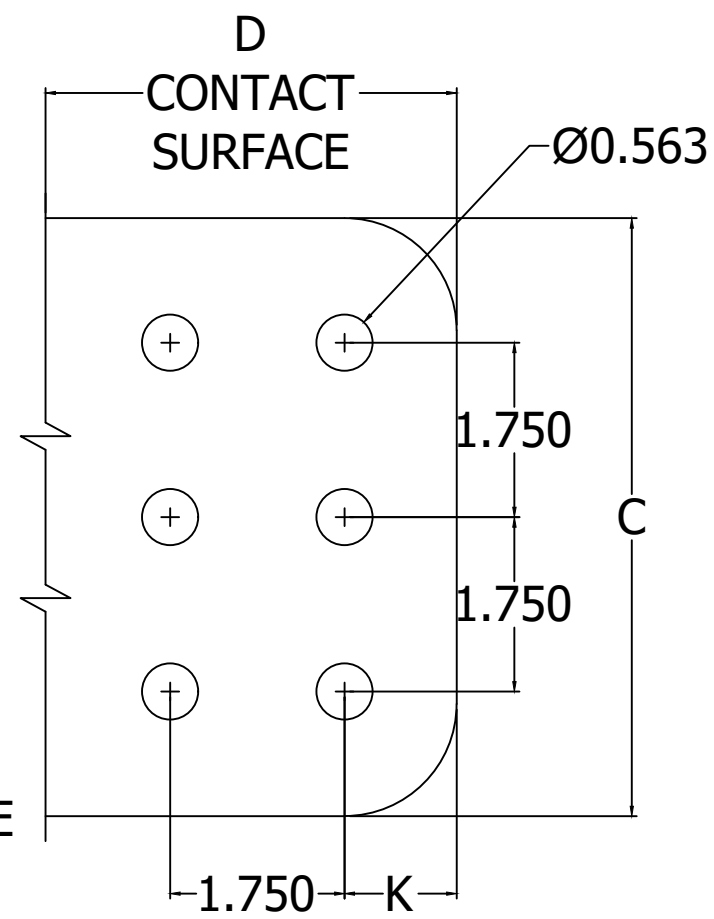
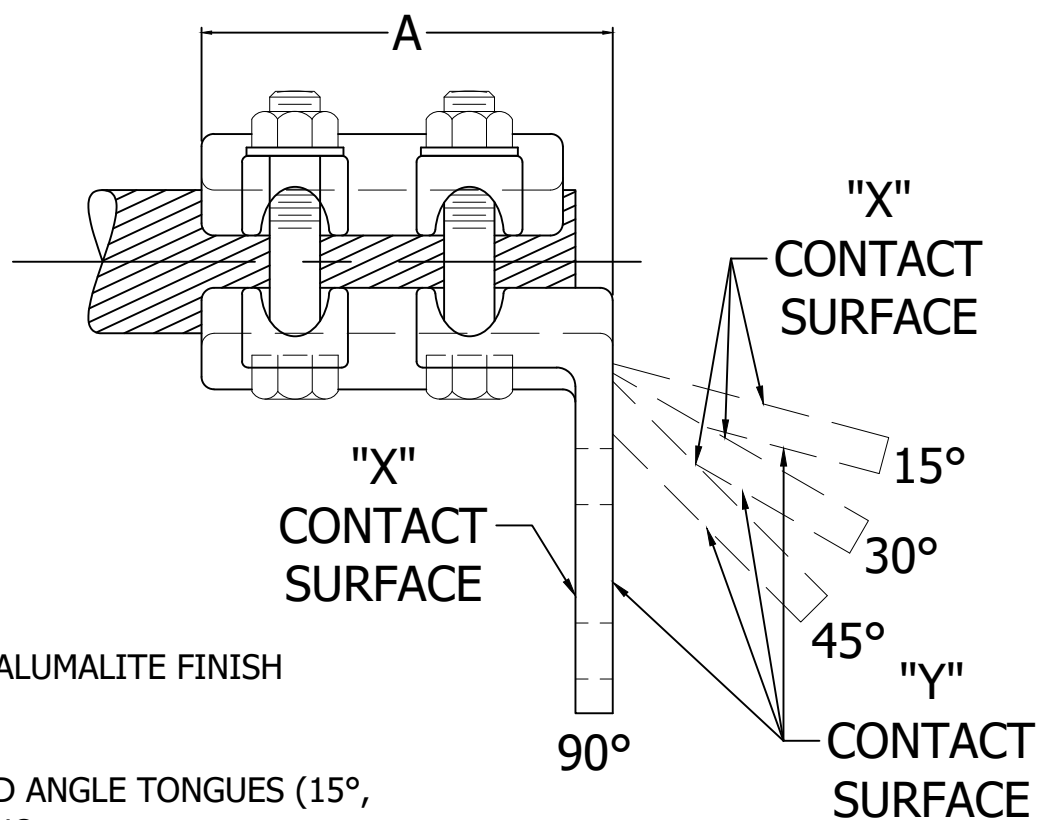
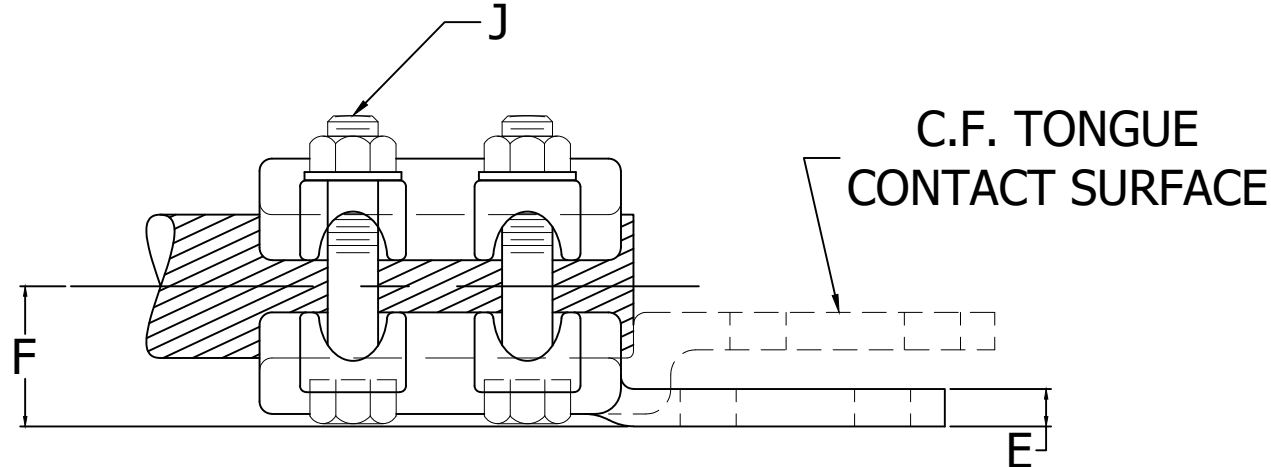


FIG. 5

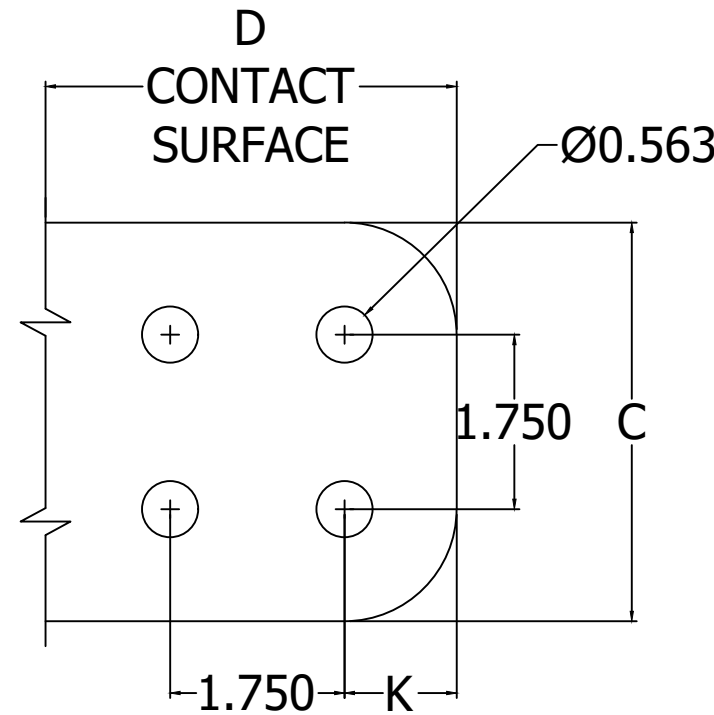


FIG. 3

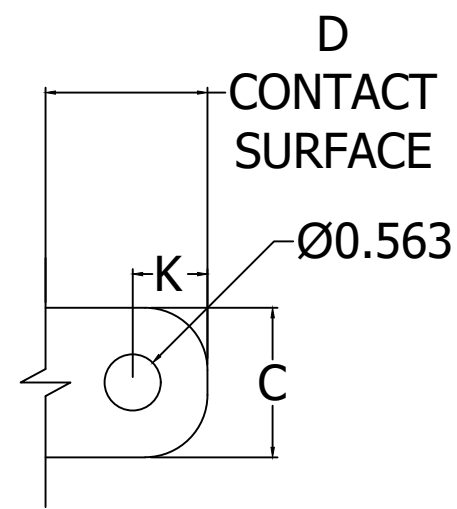
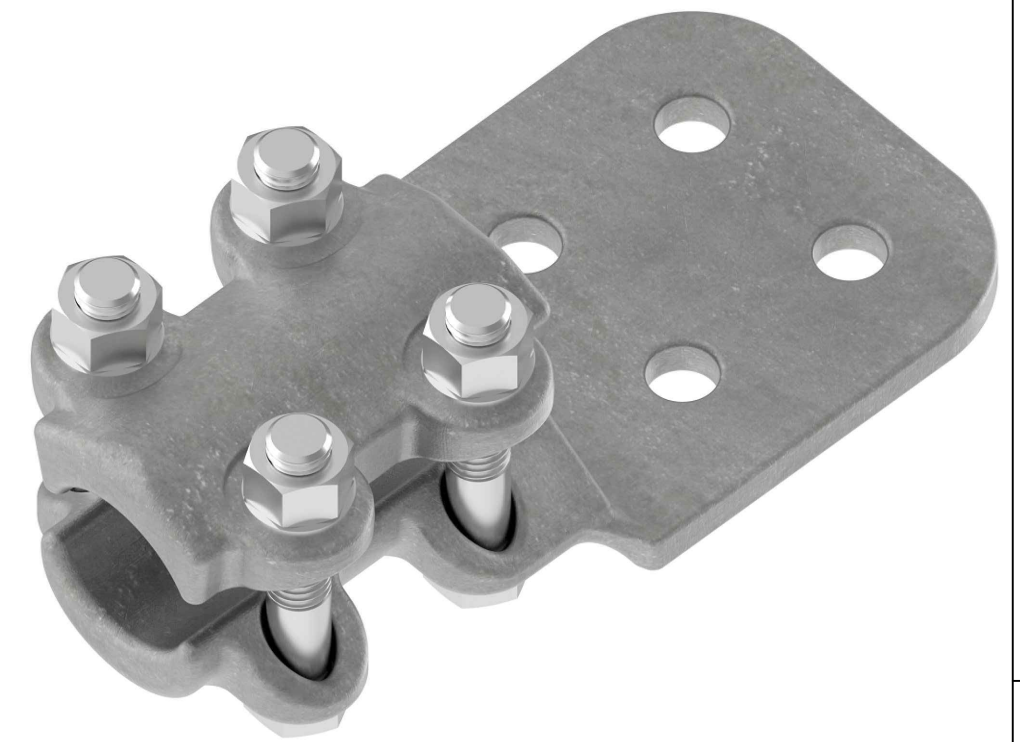


FIG. 1



NOTES:

1. MATERIAL: CASTINGS: 356-T6 ALUMINUM ALLOY
BOLTS: 2024-T4 ALUMINUM ALLOY
LOCKWASHERS: 7075-T6 ALUMINUM ALLOY WITH 205 ALUMALITE FINISH
NUTS: 6061-T6 ALUMINUM ALLOY WAXED
2. CONNECTORS ARE AVAILABLE IN CENTER FORMED (CF) AND ANGLE TONGUES (15°, 30°, 45°, AND 90° X OR Y) TO ORDER ADD SUFFIX TO CAT. NO. (EXAMPLE: ACF-6B-CF OR ACF-6B-X-90)
3. ITEMS MARKED WITH A (*) (CABLE SIZES 2000-2500 MCM) ARE EQUIPPED WITH SIX BOLTS FOR GREATER PULLOUT STRENGTH
4. ITEMS MARKED WITH (**) (CABLE RANGE 2.000-2.200 & UP) ARE EQUIPPED WITH EIGHT BOLTS.
5. TERMINALS USING #6 CAPS ARE MULTI-CAPS. TO ORDER SIZES WITH MULTI-CAPS ADD "M" TO CAT. NO. (EXAMPLE: ACFM-13-C)
6. CAT. ITEMS WITH "AEP" SUFFIX REQUIRE (4) .688 DIA. HOLES ON 2"X2" CENTERS
7. "ONC" SUFFIX DESIGNATES TERMINALS TO COME WITH TRANSITION PLATES
8. ITEMS WITH (***) COME WITH #6 CAP FOR AEP
9. "UD" SUFFIX DESIGNATES AN UN-DRILLED PAD
10. "GP" SUFFIX DESIGNATES TIN PLATING ON ALUMINUM CONNECTOR.
11. ITEMS WITH "X", "Y", OR "XY" SUFFIX CALL FOR A MACHINED SURFACE ON THE DESIGNATED CONTACT SURFACE

79606	3/18/2019	HG	HG	PTB
EC #	DATE	CHG BY	CKD BY	APPD BY
DESC OF DWG: ADDED X/Y TO ACF7C AND NOTE 11				
ADDED IMAGE				
REASON (S) FOR CHANGE: --				
DISPOSITION OF MAT'L: --				

THIRD ANGLE PROJECTION

CONFIDENTIAL: THIS DRAWING AND ITS CONTENTS ARE CONFIDENTIAL AND THE EXCLUSIVE PROPERTY OF HUBBELL POWER SYSTEMS. NO PUBLICATION, DISTRIBUTION, OR COPIES MAY BE MADE WITHOUT THE WRITTEN CONSENT OF HUBBELL POWER SYSTEMS. HUBBELL POWER SYSTEMS. UNPUBLISHED ALL RIGHTS RESERVED UNDER THE COPYRIGHT LAWS.

TITLE ALUMINUM TERMINAL CONNECTOR ACSR OR ALUMINUM CABLE TO FLAT			
CATALOG NUMBER: ACF--			
SIZE	DWG NO.	PART / ASSY NO.	REV
C	C-4183	SEE TABLE	46
SCALE: NS	DRN BY: WDS	DATE: 7/24/57	SHEET 1 OF 6

CATALOG NUMBER FOR USE ON ALUM. FLAT	DECIMAL RANGE MIN. - MAX.	ACSR MIN. - MAX.	ALUMINUM MIN. - MAX.	FIG. NO.	DIMENSIONS IN INCHES							
					A	B	C	D	E	F	J	K
ACF-6-A	.232-.575	#4-4/0	#4-250	1	3.000	2.439	1.500	1.625	0.313	1.250	0.500	0.750
ACF-6-B	.232-.575	#4-4/0	#4-250	2	3.000	2.439	1.500	3.250	0.313	1.250	0.500	0.625
ACF-6B-CF	.232-.575	#4-4/0	#4-250	2	3.000	2.439	1.500	3.125	0.313	--	0.500	0.625
ACF-6-B-Y-90	.232-.575	#4-4/0	#4-250	2	3.313	2.439	1.500	3.125	0.313	--	0.500	0.625
ACF-6-B2	.232-.575	#4-4/0	#4-250	2	3.000	2.439	2.000	3.125	0.313	1.250	0.500	0.625
ACF-6-C	.232-.575	#4-4/0	#4-250	3	3.000	2.439	3.000	3.250	0.313	1.250	0.500	0.625
ACF-6-C-Y-90	.232-.575	#4-4/0	#4-250	3	3.313	2.439	3.000	3.250	0.313	--	0.500	0.625
ACF-7-B2	.563-.744	4/0-336	250-400	2	3.000	2.439	2.000	3.125	0.313	1.188	0.500	0.625
ACF-7-B2-Y-90	.563-.744	4/0-336	250-400	2	3.313	2.439	2.000	3.125	0.313	--	0.500	0.625
ACF-7-C	.563-.744	4/0-336	250-400	3	3.000	2.439	3.000	3.250	0.313	1.188	0.500	0.625
ACF-7-C-Y-90	.563-.744	4/0-336	250-400	3	3.313	2.439	3.000	3.250	0.313	--	0.500	0.625
ACF-9-B2	.681-.893	336-477	350-600	2	3.250	2.688	2.000	3.250	0.375	1.313	0.500	0.625
ACF-9-C	.681-.893	336-477	350-600	3	3.250	2.688	3.000	3.250	0.375	1.313	0.500	0.625
ACF-11-B2	.870-1.108	556.5-795	600-900	2	3.500	2.938	2.000	3.125	0.375	1.313	0.500	0.625
ACF-11-C	.870-1.108	556.5-795	600-900	3	3.500	3.000	3.000	3.250	0.375	1.313	0.500	0.625
ACF-11-C-Y-90	.870-1.108	556.5-795	600-900	3	3.500	3.000	3.000	3.125	0.375	--	0.500	0.625
ACF-13-B2	1.081-1.293	715-1113	900-1250	2	3.750	3.188	2.000	3.125	0.375	1.375	0.500	0.625
ACF-13-B2-Y-90	1.081-1.293	715-1113	900-1250	2	4.125	3.188	2.000	3.125	0.375	--	0.500	0.625
ACF-13-C	1.081-1.293	715-1113	900-1250	3	3.750	3.188	3.000	3.125	0.375	1.375	0.500	0.625
ACF-13C-X/Y-45	1.081-1.293	715-1113	900-1250	3	3.750	3.188	3.000	3.125	0.375	--	0.500	0.625
ACF-13C-X/Y-90	1.081-1.293	715-1113	900-1250	3	4.125	3.188	3.000	3.125	0.375	--	0.500	0.625
ACF-15-B2	1.289-1.459	1113-1272	1250-1600	2	4.250	3.688	2.000	3.125	0.375	1.625	0.625	0.625
ACF-15-C	1.289-1.459	1113-1272	1250-1600	3	4.250	3.688	3.000	3.125	0.625	1.656	0.625	0.625
ACF-16-B2	1.382-1.632	1272-1590	1500-2000	2	4.500	3.938	2.000	3.125	0.439	1.750	0.625	0.625
ACF-16-C	1.382-1.632	1272-1590	1500-2000	3	4.500	3.938	3.000	3.125	0.439	1.750	0.625	0.625
ACF-9-B-X/Y-45	.681-.893	336-477	350-600	2	3.250	2.688	1.500	3.250	0.375	--	0.500	0.625
AC-9-B2-CF	.681-.893	336-477	350-600	2	3.250	2.688	2.000	3.250	0.375	--	0.500	0.625

CATALOG NUMBER: ACF--			
SIZE C	DWG NO. C-4183	PART/ ASSY NO. SEE TABLE	REV 46
SCALE: NS	DRN BY: WDS	DATE: 7/24/57	SHEET 2 OF 6

CATALOG NUMBER FOR USE ON ALUM. FLAT	DECIMAL RANGE MIN. - MAX.	ACSR MIN. - MAX.	ALUMINUM MIN. - MAX.	FIG. NO.	DIMENSIONS IN INCHES							
					A	B	C	D	E	F	J	K
ACF-9-B2-Y-90	.681-.893	336-477	350-600	2	3.625	2.688	2.000	3.125	0.375	--	0.500	0.625
ACF-9-C-X-45	.681-.893	336-477	350-600	3	3.250	2.688	3.000	3.250	0.375	--	0.500	0.625
ACF-9-C-Y-90	.681-.893	336-477	350-600	3	3.625	2.688	3.000	3.000	0.375	--	0.500	0.625
ACF-11-B2-Y-90	.870-1.108	556.5-795	600-900	2	3.875	2.938	2.000	3.125	0.375	--	0.500	0.625
ACF-15-C-Y-90	1.289-1.459	1113-1272	1250-1600	3	4.625	3.688	3.000	3.000	0.375	--	0.625	0.625
ACF-16-B2-Y-90	1.382-1.632	1272-1590	1500-2000	2	4.938	3.938	2.000	3.000	0.439	--	0.625	0.625
*ACF-18-D	1.632-1.824	--	2000-2500	3	6.750	4.063	4.000	4.125	0.625	1.875	0.625	1.125
ACF-11-C-CF	.870-1.108	556.5-795	600-900	3	3.500	2.938	3.000	3.250	0.375	--	0.500	0.625
ACF-13-C-CF	1.081-1.293	715.5-1113	900-1250	3	3.750	3.188	3.000	3.250	0.375	--	0.500	0.625
ACF-13-D	1.081-1.293	715.5-1113	900-1250	3	3.750	3.188	4.000	4.250	0.375	1.375	0.500	1.125
ACF-11-C-X-45	.870-1.108	556.5-795	600-900	3	3.500	2.938	3.000	3.125	0.375	--	0.500	0.625
ACF-13-B	1.081-1.293	715.5-1113	900-1250	2	3.750	3.188	1.500	3.125	0.375	1.375	0.500	0.625
ACF-16-B2-CF	1.382-1.632	1272-1590	1500-2000	2	4.500	3.938	2.000	3.250	0.439	--	0.625	0.625
ACF-6-C-X/Y-45	.232-.575	#4-4/0	#4-250	3	3.000	2.439	3.000	3.250	0.313	--	0.500	0.625
ACF-7-B	.563-.744	4/0-336	250-400	2	3.000	2.439	1.500	3.250	0.313	1.188	0.500	0.625
*ACF-18-C	1.632-1.824	--	2000-2500	3	6.750	4.063	3.000	3.250	0.625	1.875	0.625	0.625
**ACF-22-C	2.000-2.200	--	--	3	10.000	4.688	3.000	3.000	1.000	2.313	0.625	0.625
ACF-6-B2-CF	.232-.575	#4-4/0	#4-250	2	3.000	2.439	2.000	3.125	0.313	--	0.500	0.625
ACF-6-B2-UD	.232-.575	#4-4/0	#4-250	2	3.000	2.439	2.000	3.125	0.313	1.250	0.500	--
ACF-7-B-UD	.563-.744	4/0-336	250-400	2	3.000	2.439	1.500	3.250	0.313	1.188	0.500	--
ACF-7-B2-CF	.563-.744	4/0-336	250-400	2	3.000	2.439	2.000	3.250	0.313	--	0.500	0.625
ACF-7-C-X/Y-45	.563-.744	4/0-336	250-400	3	3.000	2.439	3.000	3.000	0.313	--	0.500	0.625
ACF-9-B2-45	.681-.893	336-477	350-600	2	3.250	2.688	2.000	3.250	0.375	--	0.500	0.625
ACF-6-B-X-45	.232-.575	#4-4/0	#4-250	2	3.000	2.439	1.500	3.250	0.313	--	0.500	0.625
ACF-7-B-X-45	.563-.744	4/0-336	250-400	2	3.000	2.439	1.500	3.250	0.313	--	0.500	0.625
ACF-7-B2-Y-15	.563-.744	4/0-336	250-400	2	3.000	2.439	2.000	3.250	0.313	--	0.500	0.625
ACF-7-B-CF	.563-.744	4/0-336	250-400	2	3.000	2.439	1.500	3.250	0.500	--	0.500	0.625

CATALOG NUMBER: ACF--				
SIZE C	DWG NO. C-4183	PART SEE TABLE	ASSY NO.	REV 46
SCALE: NS	DRN BY: WDS	DATE: 7/24/57	SHEET 3 OF 6	

CATALOG NUMBER FOR USE ON ALUM. FLAT	DECIMAL RANGE MIN. - MAX.	ACSR MIN. - MAX.	ALUMINUM MIN. - MAX.	FIG. NO.	DIMENSIONS IN INCHES							
					A	B	C	D	E	F	J	K
ACF-7-D	.563-.744	4/0-336	250-400	3	3.000	2.439	4.000	4.250	0.375	1.250	0.500	1.125
ACF-13-D-X-45	1.081-1.293	715-1113	900-1250	3	3.750	3.188	4.000	4.250	0.375	--	0.500	1.125
ACF-7-B2-Y-45	.563-.744	4/0-336	250-400	2	3.000	2.439	2.000	3.250	0.313	--	0.500	0.625
ACF-6-B2-Y-90	.232-.575	4-4/0	4-250	2	3.156	2.439	2.000	3.875	0.313	--	0.500	0.625
ACF-15-D	1.289-1.459	1113-1272	1250-1600	3	4.250	3.688	4.000	4.250	0.500	1.625	0.625	1.125
ACF-11-B-X-45	.870-1.108	556.5-795	600-900	2	3.500	2.938	1.500	3.250	0.750	--	0.500	0.625
ACF-7-C-Y-15	.563-.744	4/0-336	250-400	3	3.000	2.439	3.000	3.250	0.313	--	0.500	0.625
**ACF-24-D	2.300-2.400	--	--	3	10.000	5.000	4.000	4.250	1.000	2.500	0.625	1.125
*ACF-18-C-Y-90	1.632-1.824	--	2000-2500	3	7.625	4.125	3.000	3.250	0.625	--	0.625	0.625
ACF-6-D	.232-.575	#4-4/0	#4-250	3	3.000	2.439	4.000	4.375	0.313	1.250	0.500	1.125
ACF-15-C-X-30	1.289-1.459	1113-1272	1250-1600	3	4.250	3.688	3.000	3.250	0.375	--	0.625	0.625
ACF-16-C-X/Y-90	1.382-1.632	1272-1590	1500-2000	3	4.938	3.938	3.000	3.250	0.439	--	0.625	0.625
*ACF-21-C	1.824-2.000	--	2500-3000	3	7.500	4.500	3.000	4.000	0.750	2.063	0.625	0.625
ACF-11-C-X-60	.870-1.108	556.5-795	600-900	3	3.500	2.938	3.000	3.250	0.375	--	0.500	0.625
ACF-18-D-45	1.632-1.824	2000-2500	2000-2500	3	6.750	4.063	4.000	4.250	0.625	--	0.625	1.125
ACF-11-C-15	.870-1.108	556.5-795	600-900	3	3.500	2.938	3.000	3.250	0.375	--	0.500	0.625
ACF-9-B2-30	.681-.893	336-477	350-600	2	3.250	2.688	2.000	3.250	0.375	--	0.500	0.625
ACF-11-C-X-75	.870-1.108	556.5-795	600-900	3	3.500	2.938	3.000	3.250	0.375	--	0.500	0.625
ACF-15-C-CF	1.289-1.459	1113-1272	1250-1600	3	4.250	3.688	3.000	3.750	0.625	--	0.625	0.625
ACF-6-C-CF	.232-.575	#4-4/0	#4-250	2	3.000	2.439	3.000	3.938	0.375	--	0.500	0.625
ACF-13-B-X/Y-90	1.081-1.293	715-1113	900-1250	2	3.750	3.188	1.500	3.250	0.375	--	0.500	0.625
ACF-16-B2-X/Y-45	1.382-1.632	1272-1590	1500-2000	2	4.500	3.938	2.000	3.250	0.439	--	0.625	0.625
ACF-15-D-X/Y-90	1.289-1.459	1113-1272	1250-1600	3	5.000	3.688	4.000	4.250	0.500	--	0.625	1.125
ACF-13-D-Y-90	1.081-1.293	715-1113	900-1250	3	4.125	3.188	4.000	4.250	0.375	--	0.500	1.125
ACF-13-D-X/Y-30	1.081-1.293	715-1113	900-1250	3	3.750	3.188	4.000	4.250	0.375	--	0.500	1.125
ACF-13-D-X/Y-15	1.081-1.293	715-1113	900-1250	3	3.750	3.188	4.000	4.250	0.375	--	0.500	1.125
ACF-7-B-X/Y-45	.563-.744	4/0-336.4	250-400	2	3.000	2.439	1.500	3.250	0.313	--	0.500	0.625

CATALOG NUMBER: ACF--				
SIZE C	DWG NO. C-4183	PART SEE TABLE	ASSY NO.	REV 46
SCALE: NS	DRN BY: WDS	DATE: 7/24/57	SHEET 4 OF 6	

CATALOG NUMBER FOR USE ON ALUM. FLAT	DECIMAL RANGE MIN. - MAX.	ACSR MIN. - MAX.	ALUMINUM MIN. - MAX.	FIG. NO.	DIMENSIONS IN INCHES							
					A	B	C	D	E	F	J	K
ACF-15-C-X/Y-45	1.289-1.459	1113-1272	1250-1600	3	4.250	3.688	3.000	3.250	0.625	--	0.625	0.625
**ACF-22-C-X/Y-90	2.000-2.200	--	--	3	11.000	4.688	3.000	3.250	1.000	--	0.625	0.625
**ACF-22-D	2.000-2.200	--	--	3	10.000	4.688	4.000	4.250	1.000	2.375	0.625	1.125
ACF-11-D	.870-1.180	556.5-795	600-900	3	3.500	2.938	4.000	4.250	0.375	1.313	0.500	1.125
ACF-16-C-CF	1.382-1.632	1272-1590	1500-2000	3	4.500	3.938	3.000	3.250	0.439	--	0.625	0.625
ACF-13-B-CF	1.081-1.293	715.5-1113	900-1250	2	3.750	3.188	1.500	3.250	0.375	--	0.500	0.625
ACF-7-B-X/Y-90	.563-.744	4/0-336	250-400	2	3.313	2.439	1.500	3.250	0.313	--	0.500	0.625
*ACF-18-D-X/Y-30	1.632-1.824	--	2000-2500	3	6.750	4.063	4.000	4.250	0.625	--	0.625	1.125
ACF-6-B-X/Y-30	.232-.575	#4-4/0	#4-250	2	3.000	2.439	1.500	3.250	0.313	--	0.500	0.625
ACF-9-B	.681-.893	336-477	350-600	2	3.250	2.688	1.500	3.250	0.375	1.313	0.500	0.625
ACF-18-K	1.632-1.824	2000-2500	2000-2500	-	6.750	4.063	5.000	5.375	0.625	1.844	0.625	1.250
*ACF-18-C-X/Y-45	1.632-1.824	--	2000-2500	3	6.750	4.063	3.000	3.250	0.750	--	0.625	.0625
ACF-13-C-X/Y-15	1.081-1.293	715-1113	900-1250	3	3.750	3.188	3.000	3.250	0.375	--	0.500	0.625
ACF-15-C-X/Y-15	1.289-1.459	1113-1272	1250-1600	3	4.250	3.688	3.000	3.250	0.375	--	0.625	0.625
ACF-9-B-X/Y-30	.681-.893	336-477	350-600	2	3.250	2.688	1.500	3.250	0.375	--	0.500	0.625
ACF-15-D-X/Y-45	1.289-1.459	1113-1272	1250-1600	3	4.250	3.688	4.000	4.250	0.625	--	0.625	1.125
*ACF-21-D	1.824-2.000	--	2500-3000	3	7.500	4.500	4.000	4.250	0.750	2.063	0.625	1.125
*ACF-21-D-X/Y-90	1.824-2.000	--	2500-3000	3	8.250	4.500	4.000	4.250	0.750	--	0.625	1.125
ACF-16-D	1.382-1.632	1272-1590	1500-2000	3	4.500	3.938	4.000	4.250	0.439	1.750	0.625	1.125
ACF-11-B2-X/Y-45	.870-1.108	556.5-795	600-900	2	3.500	2.938	2.000	3.250	0.375	--	0.500	0.625
ACF-6-B2-X/Y-30	.232-.575	#4-4/0	#4-250	2	3.000	2.439	2.000	3.250	0.313	--	0.500	0.625
ACF-9-B-Y-90	.681-.893	336-477	350-600	2	3.625	2.688	1.500	3.250	0.375	--	0.500	0.625
ACF-16-D-Y-90	1.382-1.632	1272-1590	1500-2000	3	4.938	3.938	4.000	4.250	0.439	--	0.625	1.125
*ACF-18-D-Y-90	1.632-1.824	--	2000-2500	3	7.375	4.063	4.000	4.250	0.625	--	0.625	1.125
ACF-16-C-X/Y-30	1.382-1.632	1272-1590	1500-2000	3	4.500	3.938	3.000	3.250	0.439	--	0.625	0.625
ACF-9-C-X/Y-60	.681-.893	336-477	350-600	3	3.250	2.688	3.000	3.250	0.375	--	0.500	0.625
ACF-16-B2-X/Y-30	1.382-1.632	1272-1590	1500-2000	2	4.500	3.938	2.000	3.250	0.439	--	0.625	0.625

CATALOG NUMBER: ACF--			
SIZE	DWG NO.	PART / ASSY NO.	REV
C	C-4183	SEE TABLE	46
SCALE: NS	DRN BY: WDS	DATE: 7/24/57	SHEET 5 OF 6

CATALOG NUMBER FOR USE ON ALUM. FLAT	DECIMAL RANGE MIN. - MAX.	ACSR MIN. - MAX.	ALUMINUM MIN. - MAX.	FIG. NO.	DIMENSIONS IN INCHES							
					A	B	C	D	E	F	J	K
ACFM-15-D-DPL	1.108-1.465	--	--	4	4.250	3.688	4.000	4.250	0.500	1.625	0.625	1.125
***ACF-6-B-AEP	.232-.575	#6-4/0	#6-250	2	3.000	2.439	1.500	3.250	0.313	1.250	0.500	0.625
ACF-9-B-X/Y-60	.681-.893	336.4-447	350-600	2	3.250	2.688	1.500	3.250	0.375	--	0.500	0.625
ACF-9-D-X/Y-90	.681-.893	336.4-477	350-600	2	3.250	2.688	4.000	4.250	0.375	--	0.500	1.000
*ACF-18-D-X/Y-15	1.632-1.824	--	2000-2500	3	6.750	4.063	4.000	4.250	0.625	--	0.625	1.125
ACF-13-B2-CF	1.081-1.293	715-1113	900-1250	2	3.750	3.188	2.000	3.250	0.375	--	0.500	0.625
ACF-11-D-AEP	.870-1.108	556.5-795	600-900	3	3.500	2.938	4.000	4.250	0.375	1.313	0.500	1.000
ACF-9-C-CF	.681-.893	336.4-477	350-600	3	3.250	2.688	3.000	3.250	0.375	--	0.500	0.625
ACF-15-B2-X/Y-90	1.289-1.459	1113-1272	1250-1600	2	4.250	3.688	2.000	3.250	0.750	--	0.625	0.625
ACF-9-D	.681-.893	336.4-477	350-600	3	3.250	2.688	4.000	4.250	0.375	1.313	0.500	1.125
ACF-16-D-AEP	1.382-1.632	1272-1590	1500-2000	3	4.500	3.938	4.000	4.250	0.439	1.750	0.625	1.000
ACF-15-D-X/Y-90-AEP	1.382-1.632	1272-1590	1500-2000	3	4.500	3.938	4.000	4.250	0.439	1.750	0.625	1.000
ACF-16-D-X/Y-15	1.382-1.632	1272-1590	1500-2000	3	4.500	3.938	4.000	4.250	0.439	--	0.625	1.125
ACF-16-D-X/Y-30	1.382-1.632	1272-1590	1500-2000	3	4.500	3.938	4.000	4.250	0.439	--	0.625	1.125
ACF-18-D-AEP	1.632-1.824	--	2000-2500	3	6.750	4.063	4.000	4.125	0.625	1.875	0.625	1.000
ACF-13-C-X/Y	1.081-1.293	715-1113	900-1250	3	3.750	3.188	3.000	3.125	0.375	1.375	0.500	0.625
ACF-13-C-X/Y-45	1.081-1.293	715-1113	900-1250	3	3.750	3.188	3.000	3.125	0.375	--	0.500	0.625
ACF-9-B2-X/Y-90	.681-.893	336.4-477	350-600	3	3.625	2.688	2.000	3.125	0.375	--	0.500	0.625
ACF-9-C-X/Y-15	.681-.893	336.4-477	350-600	3	3.250	2.750	3.000	3.125	0.375	--	0.500	0.625
ACF-13-D-X/Y-90	1.081-1.293	715-1113	900-1250	3	4.125	3.188	4.000	4.250	0.375	--	0.500	1.125
ACF-7-C-X-90	.563-.744	4/0-336	250-400	3	3.313	2.439	3.000	3.250	0.313	--	0.500	0.625
ACF-16-N	1.382-1.632	1272-1590	1500-2000	5	4.500	4.000	6.000	4.125	0.439	1.750	0.625	1.125
ACF-13-D-AEP	1.081-1.293	715-1113	900-1250	3	3.750	3.188	4.000	4.125	0.375	1.375	0.500	1.000
ACF-16-D-X/Y-45	1.382-1.632	1272-1590	1500-2000	3	6.750	4.063	4.000	4.250	0.625	--	0.625	1.125
ACF-13-B2-X/Y-45	1.081-1.293	715-1113	900-1250	2	3.750	3.188	2.000	3.250	0.375	--	0.500	0.625

CATALOG NUMBER: ACF--			
SIZE	DWG NO.	PART/ ASSY NO.	REV
C	C-4183	SEE TABLE	46
SCALE: NS	DRN BY: WDS	DATE: 7/24/57	SHEET 6 OF 6